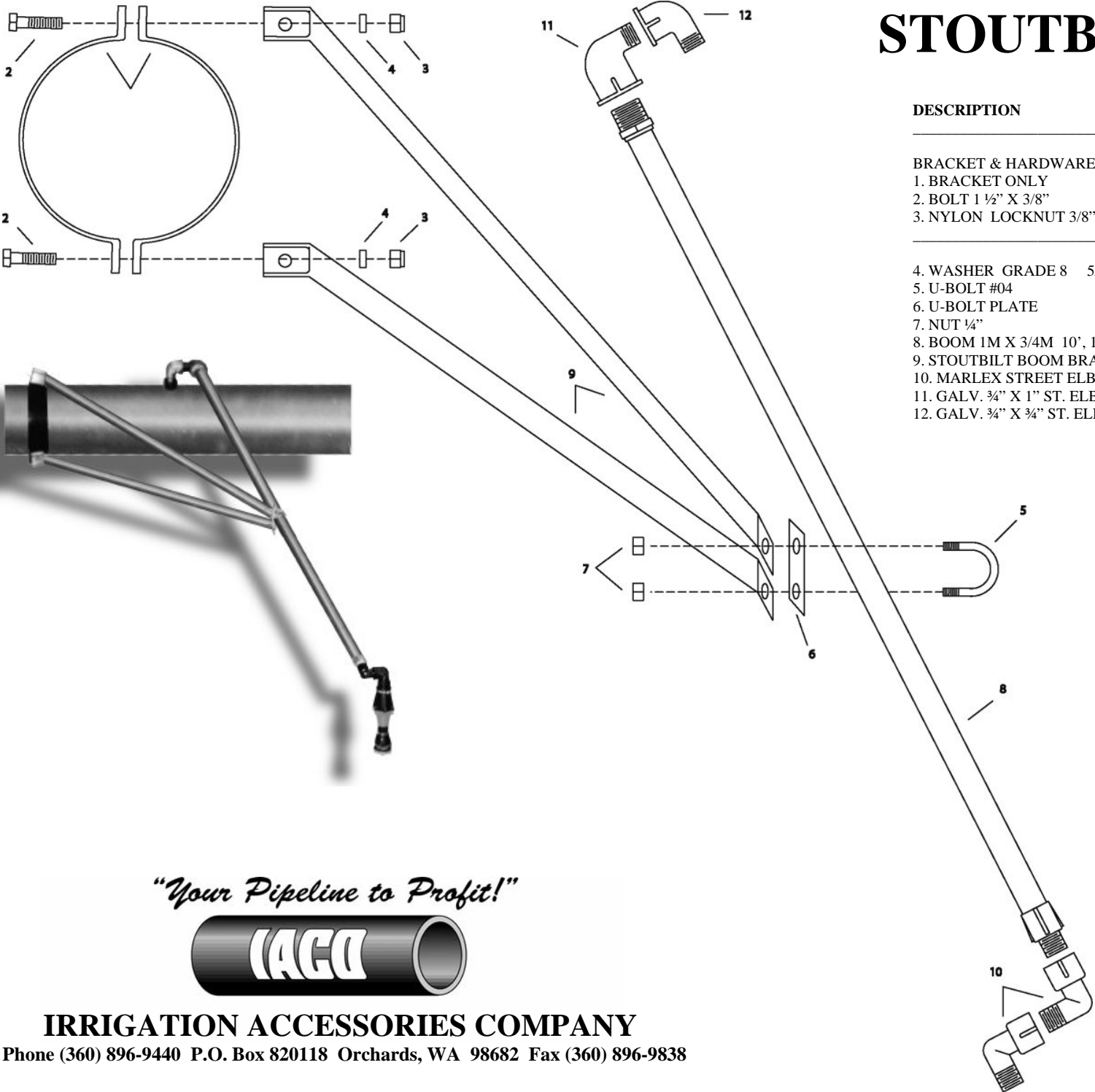


STOUTBILT BOOM

10', 12', 15', 20' OPTION A, B, C, D

DESCRIPTION	PART NUMBER	QTY.
BRACKET & HARDWARE	MST-SBB-317	1
1. BRACKET ONLY	MST-SBB-217	1
2. BOLT 1 1/2" X 3/8"	MST-IOB-130	2
3. NYLON LOCKNUT 3/8"	MST-IOB-140	2
4. WASHER GRADE 8 5/16"	MST-SBB-150	2
5. U-BOLT #04	MST-IOB-100	1
6. U-BOLT PLATE	MST-SBB-105	1
7. NUT 1/4"	MST-IOB-110	2
8. BOOM 1M X 3/4M 10', 12', 15', 20"	RST-115-120, 144, 180, 240	1
9. STOUTBILT BOOM BRACE	MST-SBB-072	2
10. MARLEX STREET ELBOW	MST-IOB-180	2
11. GALV. 3/4" X 1" ST. ELBOW	MST-SBB-150	1
12. GALV. 3/4" X 3/4" ST. ELBOW	MST-SBB-160	1



"Your Pipeline to Profit!"



IRRIGATION ACCESSORIES COMPANY

Phone (360) 896-9440 P.O. Box 820118 Orchards, WA 98682 Fax (360) 896-9838